

'A'
Rated Available

NEW VEKA
Vertical Slider



Vertical Slider Window System



For the best profile... anywhere

...a modern classic window system

Heritage needn't mean compromise

The Vertical Slider Window System from **VEKA** brings together three powerful elements – one of today's most popular window styles, the industry-leading fully sculptured Matrix FS profile system and the world renowned **VEKA** brand.

Now fabricators and installers can offer a vertical sliding window with the technical excellence and superb good looks that come with this highly-acclaimed frame system coupled with a name that is respected by specifiers everywhere – **VEKA**.

Now available with the coveted 'A' Window Energy Rating – combining traditional aesthetics with the very best in performance.



BS EN 12608
KM 12875



BS EN 7950/12608
KM 33520



BS EN ISO14001:2004
EMS 59308



BS EN ISO9001:2008
FM 01414

The NEW VEKA Vertical Slider

VEKA continually invests in its profile systems to ensure they are the most technically advanced on the market. The VEKA Vertical Slider system now has a host of additional features:

1. **NEW** Run-through Sash Horn – offering enhanced aesthetics to complement the traditional sash window style
2. **NEW** Sash Stop End Cap – neat aesthetics and a perfect seal to prevent debris such as leaves entering the profile
3. **NEW** Blanking Strip – ensures a perfect interior and exterior finish for foiled on white windows
4. **NEW** Interlock – enhanced structural stability
5. **NEW** Bottom Gasket – minimises draughts
6. **NEW** – 'A' Rating now available

The choice of fabricators:

Advanced design enables quick and efficient frame fabrication and glazing with a maximum frame size of 1400mm X 2400mm.

The choice of installers:

Slimline outer frame (136mm X 68mm) improves installation flexibility – but retains complete compatibility with existing VEKA fixing brackets.

The choice of homeowners:

A great looking window ensures strong demand from the retrofit sector as well as new-build. The pleasing slimline appearance belies a high performance energy efficient design. Slimline sashes offer improved window aesthetics and maximised Window Energy Rating performance.

The choice of specifiers:

VEKA remains the No.1 choice of social and commercial specifiers throughout Britain and Ireland with a reputation second-to-none for technical excellence and superb good looks. The VEKA Vertical Slider System has been specified for use in conservation areas and listed buildings.



More choice

COLOURS:

- Brilliant White • Golden Oak on Caramel
 - Golden Oak on White • Rosewood on Brown
 - Rosewood on White • White Woodgrain on White
- Other colours available on request.

HORNS:

- NEW run-through horns now available
- Clip-in horns also available
- Available without horns for a more contemporary look



...a modern classic window system



CILL:

- Universal design allows for either overhanging or stub cill.
- Rear projection resulting in less complex fabrication. Standard leg detail enables the use of existing VEKA fixing brackets.

GEARING:

- Bespoke gearing features to allow fabricators free choice of suppliers including heavy duty spring balances
- Profile allows for correct and secure location of gearing fittings
- Provision for fitting of trickle vents within frame head

GLAZING THICKNESS:

- Designed primarily for use with 28mm glazing thickness
- Can be used with Matrix 58 bead range to accommodate other glazing thicknesses if required

BOTTOM SASH:

- Choice of two bottom sash options – Four-sided fully welded or Three-sided fully welded
- Mechanically coupled deep bottom rail
- NEW bottom gasket





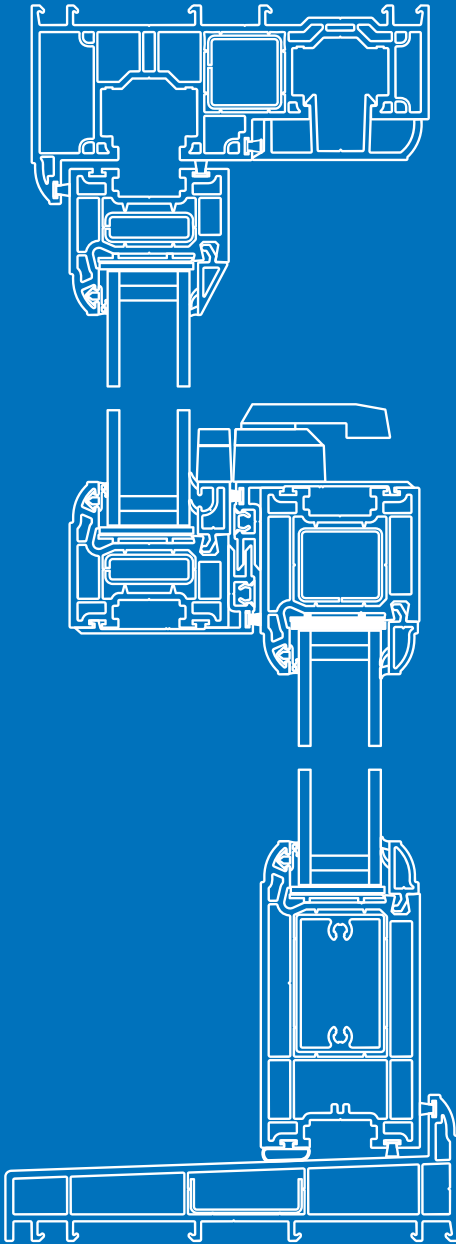
The Vertical Slider Window System from **VEKA**

A rating available

Run-through sash horns available

Slimline sash

Range of colours including foil on white
and white woodgrain



VEKA plc

VEKA plc Farrington Road, Rossendale Road Ind. Est, Burnley, Lancashire, BB11 5DA.

Tel: **01282 716611** Fax: 01282 725257 e-mail: salesenquiry@veka.com

www.vekauk.com